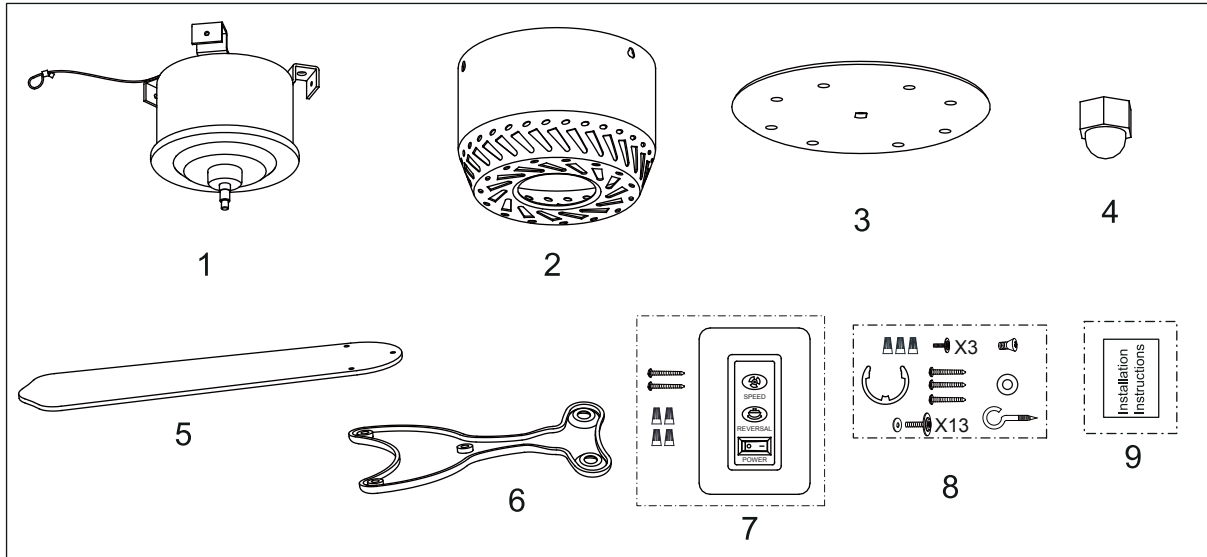




INSTALLATION INSTRUCTIONS

Internal model: YSDC-36 Model No.: 410TSDC36BNWH
YSDC-42 410TSDC42BNBK

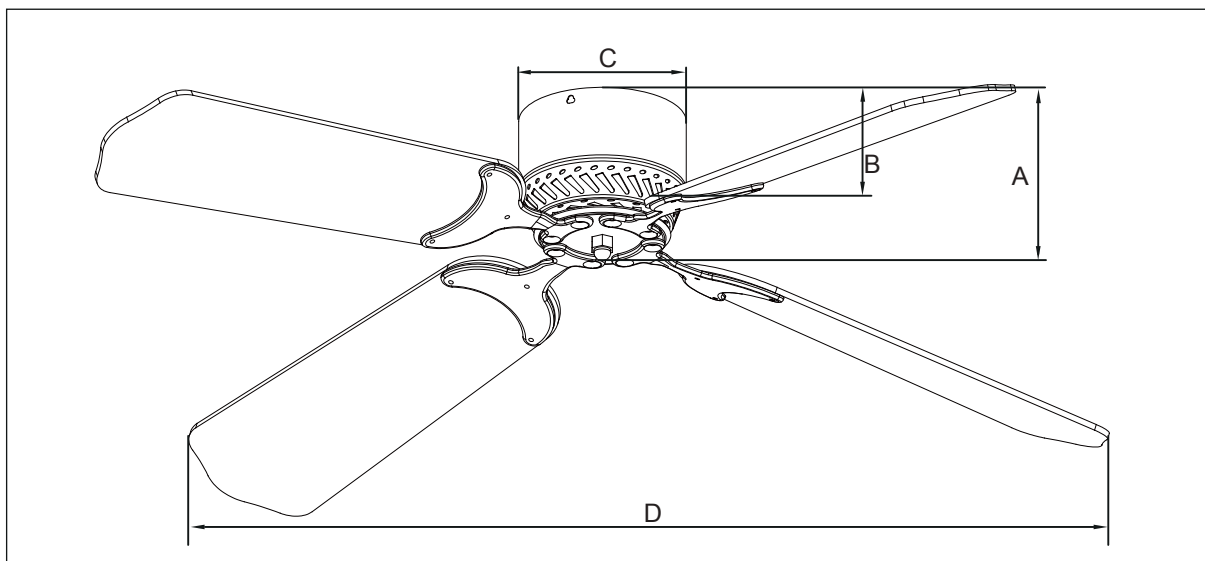
12 Volt DC Fan Package Contents :



Unpack your fan and check the contents. You should have the following items.

- | | |
|------------------------|-------------------------------|
| 1.) Fan Motor Assembly | |
| 2.) Housing | 6.) Blade Bracket (4 PCS) |
| 3.) Turn Disk | 7.) Wall Control |
| 4.) Shaft Nut | 8.) Assembly Kit |
| 5.) Fan Blade (4 PCS) | 9.) Installation Instructions |

Dimension Reference:



A. 5" B. 3-3/4" C. 5-1/2" D. 36"
A. 5" B. 3-3/4" C. 5-1/2" D. 42"

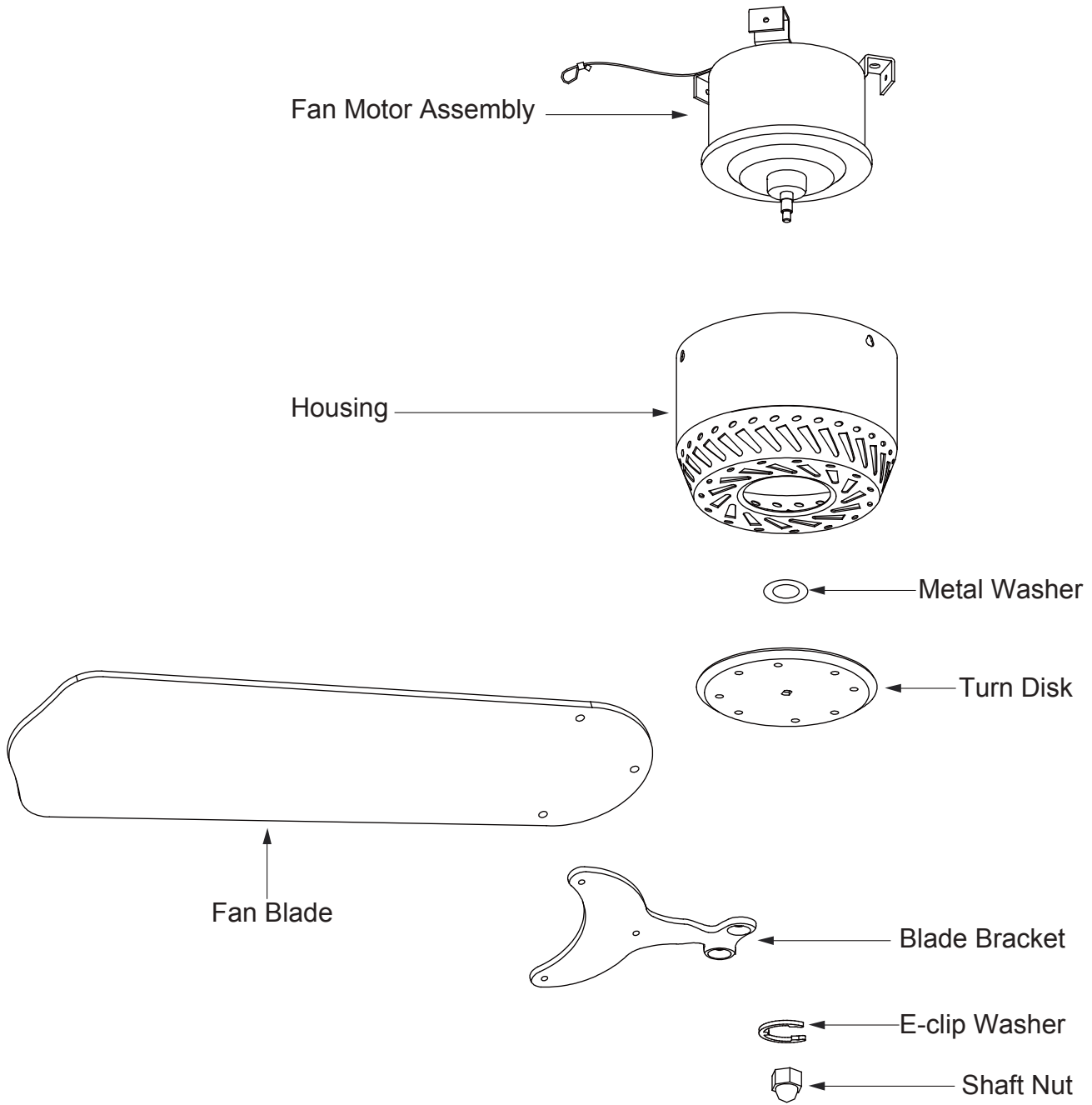




INSTALLATION INSTRUCTIONS

Internal model: YSDC-36 Model No.: 410TSDC36BNWH
YSDC-42 410TSDC42BNBK

Exploded View Detail





INSTALLATION INSTRUCTIONS

Internal model: YSDC-36 Model No.: 410TSDC36BNWH
 YSDC-42 410TSDC42BNBK

Safety Instructions

READ ALL SAFETY INFORMATION AND INSTALLATION INSTRUCTIONS BEFORE YOU BEGIN TO INSTALL THE FAN AND SAVE INSTRUCTIONS.

- All set screws of the fan must be checked and retightened where necessary before installation.
- **WARNING:** To reduce the risk of personal injury do not bend the blade brackets when installing the brackets, balancing the blades or cleaning the fan. Do not insert foreign objects between rotating fan blades.
- Before changing the fan direction, turn off the fan and wait for the fan blades to stop completely.
- The safeguards provided by these safety instructions and by the separate installation instructions are not meant to cover all possible conditions and situations that may occur. It must be understood that common sense, caution and care are factors which can not be built into this product. These factors must be supplied by the person(s) installing, caring for and operating the fan.

WARNING

- TO AVOID RISK OF ELECTRIC SHOCK, BE SURE TO SHUT OFF POWER AT THE MAIN FUSE OR CIRCUIT BREAKER BOX BEFORE INSTALLING OR SERVICING THIS FIXTURE. TURNING OFF THE ELECTRICAL POWER BY USING THE POWER SWITCH IS NOT SUFFICIENT TO PREVENT ELECTRICAL SHOCK.
- SUPPORT DIRECTLY FROM BUILDING STRUCTURE. AND USE MOUNTING SCREWS PROVIDED WITH THE CEILING FAN.
- THE INSTALLATION HAS TO BE IN ACCORDANCE WITH THE NATIONAL ELECTRICAL CODE, ANSI/NFPA 70 AND LOCAL CODES. IF YOU ARE UNFAMILIAR WITH THE METHODS OF INSTALLING ELECTRICAL WIRING, SEEK THE SERVICES OF A QUALIFIED LICENSED ELECTRICIAN.
- TO REDUCE THE RISK OF INJURY, INSTALL THE FAN SO THAT THE BLADES ARE AT LEAST 7 FEET (2.1 METERS) ABOVE THE FLOOR AND AT LEAST 18 INCHES (0.5 METERS) FROM THE TIP OF THE BLADES TO THE WALL.
- WHEN USE IN RV, THE MAXIMUM CURRENT RATING OF FUSE SHALL NOT EXCEED 6A.
- TO AVOID RISK OF FAN, WALL CONTROL WIRES BURNING AND POWER CUTS, THE FAN HAS TO BE CONNECT WITH DC 12V POWER ONLY.
- TO REDUCE THE RISK OF FIRE OR ELECTRIC SHOCK, DO NOT USE THIS FAN WITH ANY SOLID-STATE SPEED CONTROL DEVICE.





INSTALLATION INSTRUCTIONS

Internal model: YSDC-36 Model No.: 410TSDC36BNWH
YSDC-42 Model No.: 410TSDC42BNBK

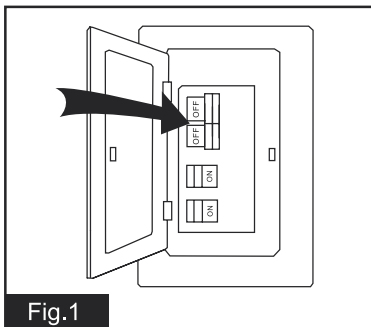
INSTALLATION INSTRUCTIONS

IMPORTANT:

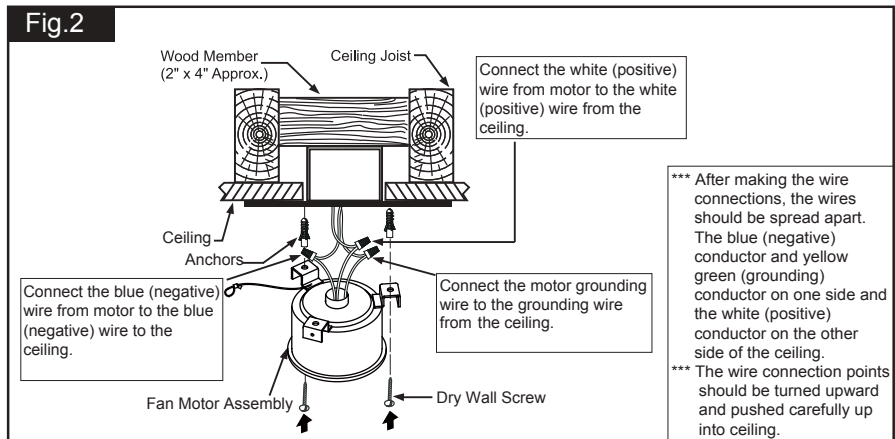
- BEFORE YOU BEGIN INSTALLATION, CAREFULLY READ ALL INFORMATION PROVIDED IN THE SAFETY INSTRUCTIONS AND INSTALLATION INSTRUCTIONS. IF IN DOUBT, CONSULT A QUALIFIED ELECTRICIAN.
- SAVE ALL INSTRUCTIONS.

NOTE: The fan weight is 36":7.26lbs(3.3kg),42":7.7lbs(3.5kg). Be sure the ceiling you are using is securely attached to the building structure and can support the full weight of the fan. Failure to do so can result in serious injury.

Installation Steps:



Turn OFF the electric circuit at the main fuse or circuit breaker box.

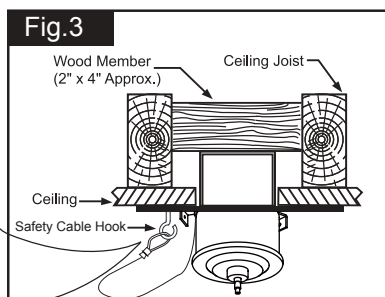
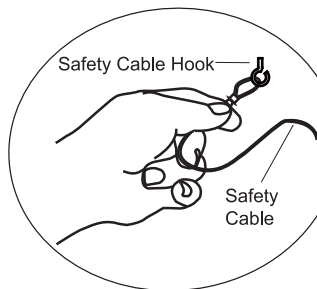


Tighten the fan motor assembly to the ceiling with three anchors and dry wall screws(ST6*25mm). (Make sure the ceiling is securely installed so that it will be able to support at least the fan weight.)

WARNING:

1. SUPPORT DIRECTLY FROM BUILDING STRUCTURE.
2. CONNECT TO DC 12V POWER ONLY.

Hang the roller of the safety cable on to the safety cable hook. Then push upward the little metal tube to secure the safety cable on the safety cable hook.



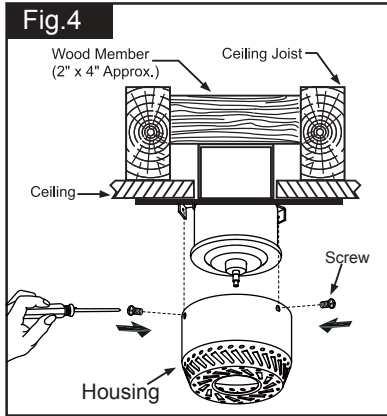
Attach the safety cable hook to the ceiling and make sure the safety cable hook is covered by the fan canopy.



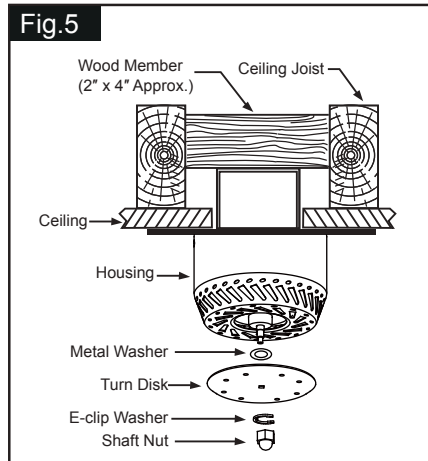


INSTALLATION INSTRUCTIONS

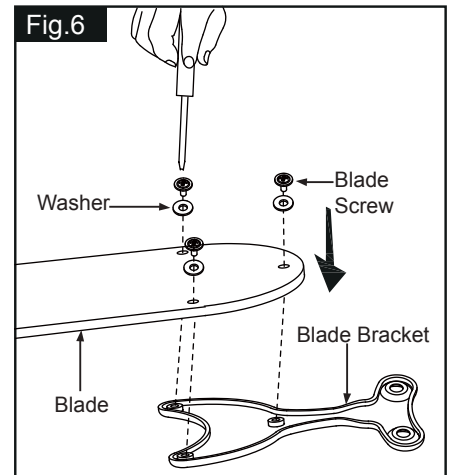
Internal model: YSDC-36 Model No.: 410TSDC36BNWH
 YSDC-42 410TSDC42BNBK



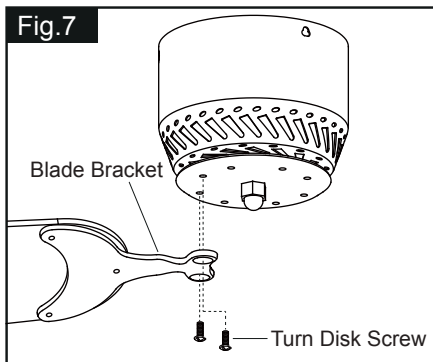
There are three mating holes on the housing. Lift housing and rotate it until the hole of housing match the hole of fan motor assembly, then install three screws (3/16" x 12mm) into the mating holes and tighten in secure the housing to the fan motor assembly.



Attach one metal washer onto the shaft of the fan motor, Lift turn disk and align the hole of turn disk onto the shaft of the motor and then insert it. One hand hold the turn disk, secure the e-clip onto the slot from the shaft of the motor to free your hands. Finally, tighten the turn disk by the shaft nut.

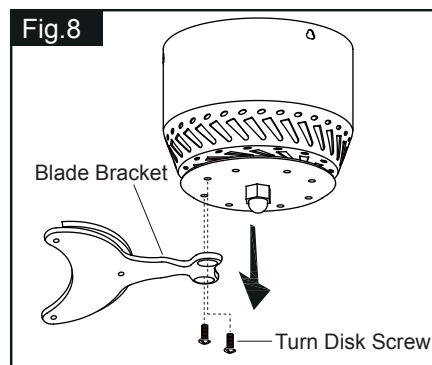


Secure the blades to the blade brackets with blade screws (3/16" x 12mm) and washers.

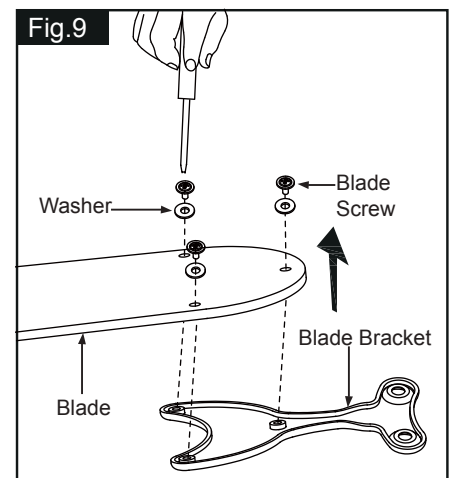


Remove screws and washers from turn disk first and then tighten blade brackets to turn disk using turn disk screws.

Change Blades Installation:



Remove screws and washers from turn disk first and then tighten blade brackets to turn disk using turn disk screws.



Remove the blade screws and fiber.





INSTALLATION INSTRUCTIONS

Internal model: YSDC-36 Model No.: 410TSDC36BNWH
 YSDC-42 410TSDC42BNBK

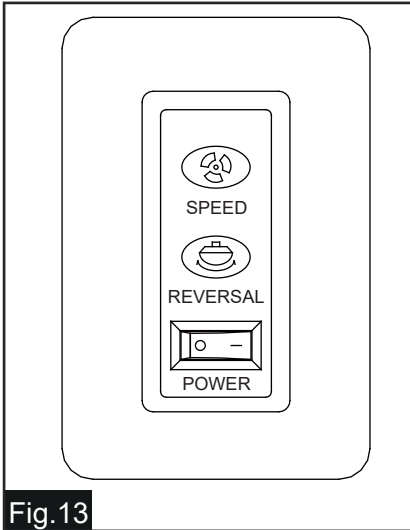


Fig.13

FUNCTION OF WALL SWITCH:

1. Turn on the power and check operation of fan.
2. Press "POWER" button at "—" position to turn on the fan at high speed.
3. Press "POWER" button at "o" position to turn off the fan.
4. Press "SPEED" button to change fan speed.

PRESS	SPEEDS
One time	100%--High Speed
Twice	75%--Medium High
Third	50%--Medium
Fourth	25%--Low
5. Press "REVERSAL" button to sets direction of fan rotation.
 - a. Turn on the fan at first time without setting, the blades are turning clockwise to create an upward motion, pulling cooler air near the floor up toward the ceiling, forcing warmer air downward, this good for air circulation and suitable for winter.
 - b. Press "REVERSAL" button to sets the fan to turn counterclockwise, which will create a downward motion and a cooling effect. If you can feel cool air blowing down on your skin, then that means the fan is turning counterclockwise, this is suitable for summer.

Troubleshooting Guide

If you have difficulty operating your new ceiling fan, it may be the result of incorrect assembly, installation or wiring. If you experience any faults, please check this Troubleshooting Guide. If a problem cannot be remedied or you are experiencing difficulty in installation, please call our Customer Service Department (1-800-887-6326).

PROBLEM	SUGGESTED REMEDY
1. If fan does not start:	<p>CAUTION: Connect to DC 12V Power Only before turn on the fan.</p> <ol style="list-style-type: none"> 1. Check the main and branch circuit fuses of circuit breakers. 2. Turn off electrical power and check all wire connections to fan and wall switch. 3. Make sure that the wall switch is in the "on" position.
2. Noisy Operation:	<ol style="list-style-type: none"> 1. Make sure all screws in motor housing are snug. (Not over tightened.) 2. Make sure the screws which secure the fan blade bracket to the motor are tight. 3. Allow "break-in" period of 24 hours. Most noises associated with a new fan will disappear after this period.
3. Excessive wobbling:	<p>All blades are weighted and grouped by weight. Natural woods vary in density which could cause the fan to wobble even though all blades are weight-matched. The following procedures should eliminate most of the wobble. Check for wobble by following the steps listed below.</p> <ol style="list-style-type: none"> 1. Check that all blades are screwed firmly to blade brackets. 2. Check that all blade brackets are tightened securely to motor. 3. Make sure that motor are tightened securely to ceiling. 4. Check distance between blade tip to blade tip. All measurements should be equal. Loosen and retighten the blades if necessary. 5. Check distance from tip of blades to ceiling. Gently bend up or down the blade until all distances are the same. 6. If blade wobble is still noticeable, interchange two adjacent (side by side) blades for redistributing the weight.

